

ITEM NO.	PART NO.	DESCRIPTION	QTY.	MSRP
1	H135	Cuff-Lynx, 2" m cuff x 2" mpt	1	\$3.99 ea
2	P561	cap, 6", threaded, w/ 2" npt	1	\$23.99 ea
3	G031	gasket, 3.25" i.d. x 5.88" o.d.	2	\$6.99 ea
4	H359	basket, strainer, 4.5 DIA x 12.5	1	\$36.99 ea
5	G084	gasket, 4.55" x 5.5"	1	\$4.99 ea
6	P563	filter, body, inline, w/2" npt	1	\$34.99 ea
7	G075	gasket, vacuum, ml ll	1	\$7.99 ea
8	H230	screw, 10-32 x 1/2" phil pan head, s/s	19	\$0.99 ea
9	G055	tether, cap, 6 1/2"	1	\$12.99 ea
10	P560	cap, 6", threaded	1	\$23.99 ea
11	H289	Washer #10 flat, s/s	4	\$0.99 ea
12	H158	bracket, filter, fastening, vac booster	1	\$5.99 ea
13	P684	adaptor, pvc 2, fmsl x fms	1	\$6.99 ea
14	H124	Cuff-Lynx, 2" mpt x 2" female cuff	2	\$3.99 ea
15	G122	o-ring, 2.318" OD x 3/32" width	2	\$2.99 ea
16	H121	cuff-lynx, 2" plug	2	\$3.99 ea
17	P973	vac tank, booster, ml style	1	\$104.99 ea
18	H333	mesh filter, auto dump, 1/2" npt	1	\$12.99 ea
19	B210	bushing, brass, 1/2"mpt x 3/8" fpt, hex	1	\$2.49 ea
20	H299	washer, 11/16" id x 1-1/2" od x .075, s/s	4	\$0.99 ea
21	B216	nipple, brass, 3/8" x close	1	\$1.99 ea
22	B186	elbow, brass, 90 deg, 3/8"mpt x 3/8" fmpt	1	\$8.99 ea
23	B160	adapter, brass, 1/2" barb x 3/8" fsw, ball end	2	\$3.49 ea
24	P755	elbow, U, 180, 1-1/2", float	1	\$8.99 ea
25	H297	screw, 8 x 1/2", hex head, zinc	3	\$0.99 ea
26	H235	float, 1.5", ball style	1	\$19.99 ea
27	PH633-4	pipe, 1-1/2" x 5-1/2" pvc	1	\$4.99/ft
28	P520	adapter, pvc, 1-1/2" mpt x 1-1/2" fms	1	\$2.99 ea
29	H314	nut, lock, 1-1/2", steel	1	\$1.99 ea
30	G004-A	gasket, vacuum motor	1	\$6.99 ea
31	G004	gasket, vacuum motor	1	\$8.99 ea
32	C302A	vac motor, 3-stage hp, 120V, 145"	1	\$148.99 ea
33	H210	washer, 1/4" flat, s/s	13	\$0.99 ea
34	H096	bolt 1/4-20 x 4, s/s	3	\$0.99 ea
35	H503	vac support, 3 stage, 3.25", no thrds	3	\$3.99 ea
36	H304	screw, 8 x 5/8", phil oval, s/s	4	\$0.99 ea
37	H296	guard, cooling fan, wire	1	\$2.99 ea
38	G059	exhaust boot, plastisol	1	\$4.99 ea
39	H217	clamp, hose, 2-1/4 dia	1	\$1.49 ea
40	H316	bolt, 1/4x1-1/2", hex head zinc	2	\$0.99 ea
41	H216	nut, lock, 1/4-20, nylon insert, s/s	2	\$0.99 ea
42	H379	bracket, front, small	1	\$3.99 ea
43	H213	washer, 1/4" lock, s/s	2	\$0.99 ea
44	H201	bolt, 1/4-20 x 1/2", hex head, zinc	2	\$0.99 ea
45	B204	qd, 3/4" female x female garden hose	1	\$9.99 ea
46	B205B	QD, 1/2" npt x 3/4" mgh, pump-out	1	\$3.99 ea
47	B656A	ball valve, 1/2" m x 1/2" f	1	\$16.49 ea
48	H681	caster, 2", black hub, gray tread	2	\$8.99 ea
49	H273	nut, kep, #10-32 zinc	14	\$0.99 ea

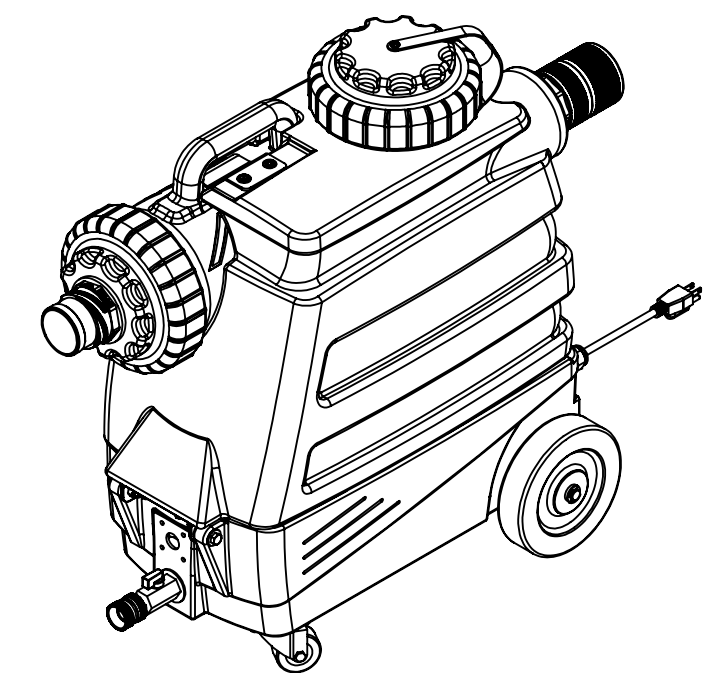
ITEM NO.	PART NO.	DESCRIPTION	QTY.	MSRP
50	H228	axle, 13.10" x .50" dia	1	\$9.99 ea
51	H254	washer, axle, cut 1/2" id	4	\$0.99 ea
52	H279	wheel, 6"	2	\$25.99 ea
53	H042	c-clip, 12mm, external	2	\$0.99 ea
54	H636	plate, 3 switch	1	\$6.99 ea
55	H221	nut, lock, 1/2" steel	1	\$1.99 ea
56	H220	fitting, strain relief, cord	1	\$3.19 ea
57	E533	power cord, end, 25', 16/3	1	\$35.49 ea
58	E515	switch, rocker, 2 position	2	\$13.99 ea
59	H389	screw, 10-32 x 1/2" SHCS, alloy	1	\$0.99 ea
60	H289	washer, 10 flat, s/s	1	\$0.99 ea
61	H770	bolt, 1/4-20 x 1/2" serrated hex flange, zinc	1	\$0.99 ea
62	H904	bracket, L	1	\$21.99 ea
63	P788	base, mytee lite ll	1	\$76.99 ea
64	B199	coupler, 1/2" fpt x 1/4" fpt	1	\$8.99 ea
65	H222	screw, 10-32 x 1-1/4" phil pan head, s/s	4	\$0.99 ea
66	PH615-4	sol hose, 1/2" kuri 100psi	1	\$8.99/ft
67	C381	pump out, 115v	1	\$187.49 ea
68	B173	ferrule, 1/2", brass	4	\$0.99 ea
69	PH615-31	sol hose, 1/2" kuri 100psi	1	\$8.99/ft
70	B652	elbow, brass, 90 deg, 3/8"mpt x 1/4"mpt	1	\$8.49 ea

**230 VOLT VERSION**

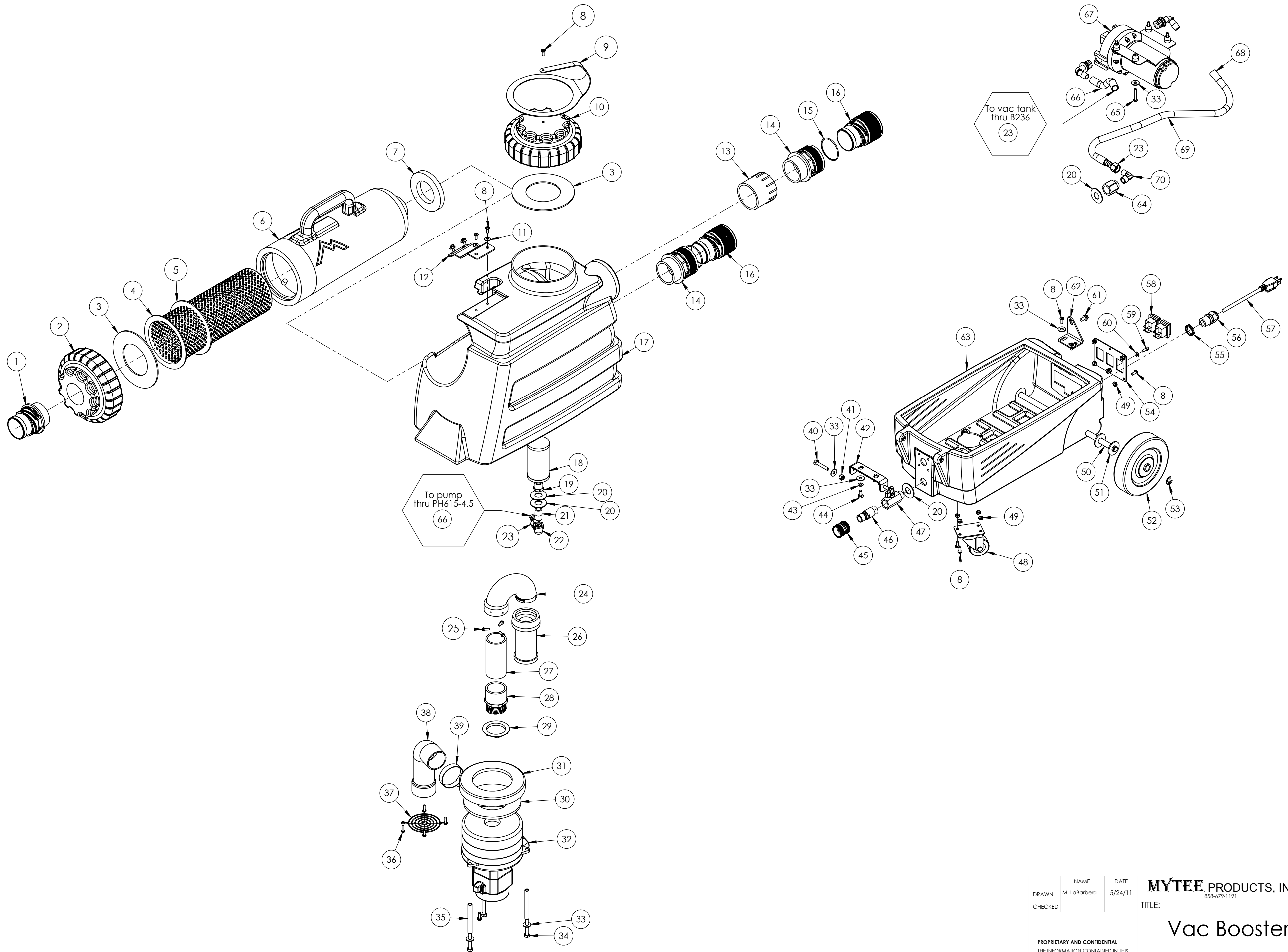
ITEM NO.	PART NO.	DESCRIPTION	QTY.	MSRP
30	C304	vac motor, 3 stage, 230v, tangential	1	\$199.99 ea
69	C381A	pump out, 3.3 GPM, 1/10 HP, 230v	1	\$262.99 ea

**ITEMS NOT SHOWN**

PART NO.	DESCRIPTION	QTY.	MSRP
G008	piglet filters	1	\$0.99 ea
G076	filter bag, 3.5" metal O-ring, mesh bag	1	\$4.99 ea
H110	cuff-lynx, 2" hose x 2" fem swivel cuff-lynx	1	\$3.99 ea
H141	Cuff-Lynx, 2" to 1.5" reducer	1	\$3.99 ea
H136	Cuff-Lynx, 2" hose x 2" male swivel cuff-lynx	1	\$3.99 ea
ADM-7303	manual, vacuum booster	1	



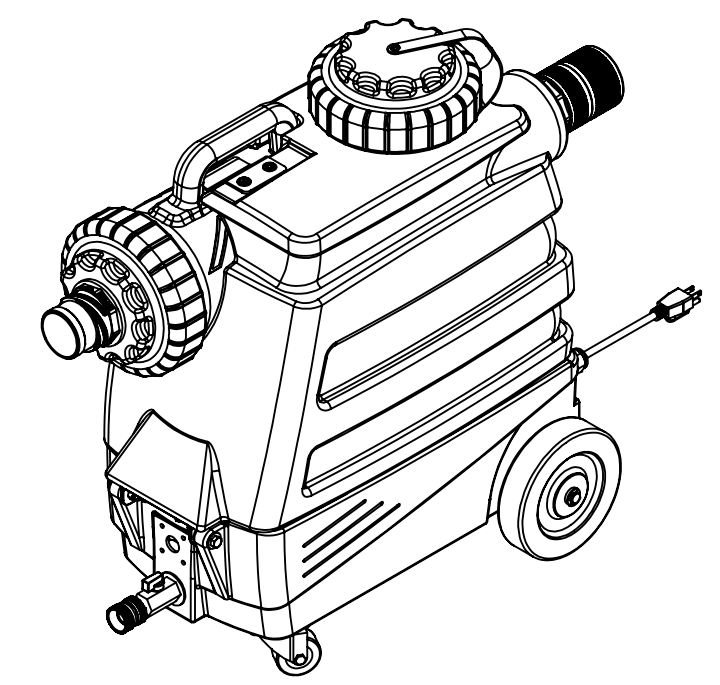
NAME		DATE	<b>MYTEE PRODUCTS, INC.</b> 858-679-1191
DRAWN M. LaBarbera		5/24/11	
CHECKED		TITLE:	
		<b>Vac Booster</b>	
PROPRIETARY AND CONFIDENTIAL THE INFORMATION CONTAINED IN THIS DRAWING IS THE SOLE PROPERTY OF MYTEE PRODUCTS, INC. ANY REPRODUCTION IN PART OR AS A WHOLE WITHOUT THE WRITTEN PERMISSION OF MYTEE PRODUCTS, INC. IS PROHIBITED.		SIZE DWG. NO.	REV
		<b>C 7303</b>	<b>E</b>
SCALE: 1:2		DO NOT SCALE DRAWING	SHEET 1 OF 3



	NAME	DATE	<b>MYTEE PRODUCTS, INC.</b> 858-679-1191		
DRAWN	M. LaBarbera	5/24/11	TITLE:		
CHECKED			<b>Vac Booster</b>		
<small>PROPRIETARY AND CONFIDENTIAL</small> <small>THE INFORMATION CONTAINED IN THIS DRAWING IS THE SOLE PROPERTY OF MYTEE PRODUCTS, INC. ANY REPRODUCTION IN PART OR AS A WHOLE WITHOUT THE WRITTEN PERMISSION OF MYTEE PRODUCTS, INC. IS PROHIBITED.</small>			SIZE	DWG. NO.	REV
			<b>C</b>	<b>7303</b>	<b>E</b>
			SCALE: 1:2	DO NOT SCALE DRAWING	SHEET 2 OF 3

**REVISIONS**

REV.	DESCRIPTION	DATE	APPROVED
OD	ORIGINAL DRAFT	-	JFL
A	ADDED G084	3/11/2014	ML
B	REPLACED G004 WITH G004-A; PRELACED H347 WITH B173	3/28/2014	ML
C	REPLACED H343 w H304	4/28/2015	ML
D	ADDED G122	11/3/2015	ML
E	UPDATED PLUMBING	11/9/2015	ML



	NAME	DATE	<b>MYTEE PRODUCTS, INC.</b>	
DRAWN	M. LaBarbera	5/24/11	858-679-1191	
CHECKED			TITLE:	
<b>PROPRIETARY AND CONFIDENTIAL</b> THE INFORMATION CONTAINED IN THIS DRAWING IS THE SOLE PROPERTY OF MYTEE PRODUCTS, INC. ANY REPRODUCTION IN PART OR AS A WHOLE WITHOUT THE WRITTEN PERMISSION OF MYTEE PRODUCTS, INC. IS PROHIBITED.			Vac Booster	
			SIZE <b>C</b>	DWG. NO. <b>7303</b>
			SCALE: 1:2	DO NOT SCALE DRAWING
			SHEET 3 OF 3	